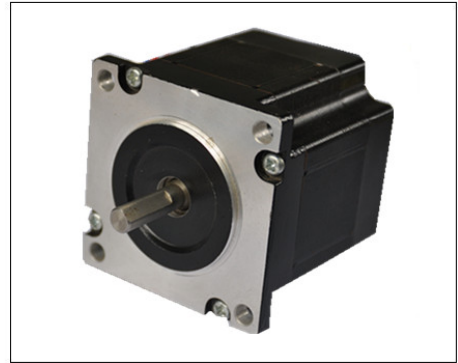


1.8°Size 57mm(23H) High Torque Hybrid Stepping Motor

Technical Parameters

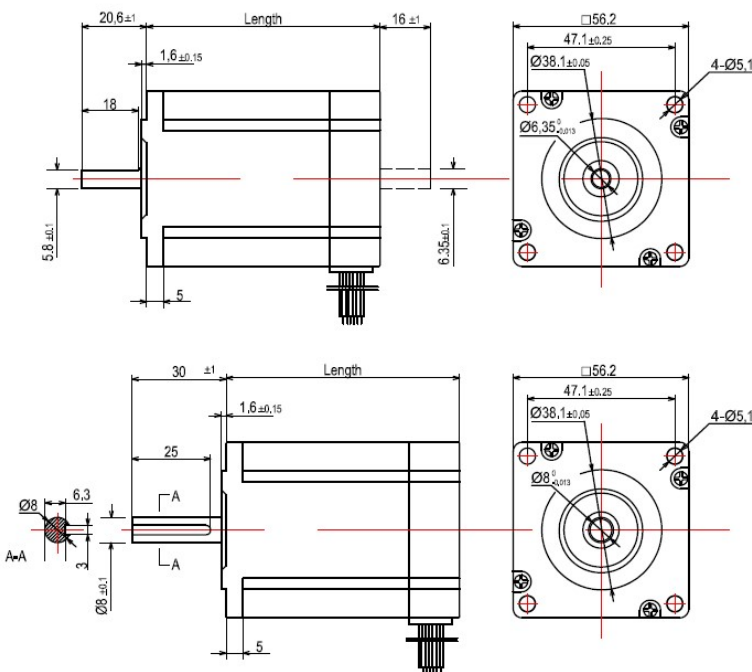
Step Angle Accuracy	Specifications
Resistance Accuracy	±5%
Inductance Accuracy	±10%
Temperature Rise	±20%
Ambient Temperature	80°C Max.
Insulation Resistance	-10°C~+50°C
Dielectric Strength	100MΩMin.500 VDC
Shaft Radial Play	500VAC
Shaft Axial Play	0.06Max.(450 g-load)
Insulation Class	0.08Max.(450 g-load)
Step Angle Accuracy	Class B 130°



Technical Specifications

Model No	Holding torque	Current /Phase	Resistance/ Phase	Step Angle	Rotor Inertia	Weight	Length
	Nm						
57BYGH246-1004A	0.65	1	4.8	1.8 °	120	0.5	46
57BYGH246-2004A	0.65	2	1.3	1.8 °	120	0.5	46
57BYGH246-3004A	0.65	3	0.58	1.8 °	120	0.5	46
57BYGH255-1004A	1	1	6	1.8 °	200	0.7	55
57BYGH255-2004A	1	2	1.6	1.8 °	200	0.7	55
57BYGH255-3004A	1	3	0.7	1.8 °	200	0.7	55
57BYGH262-1004A	1.2	1	6.5	1.8 °	300	0.85	62
57BYGH262-2004A	1.2	2	1.8	1.8 °	300	0.85	62
57BYGH262-3004A	1.2	3	0.8	1.8 °	300	0.85	62
57BYGH280-2004A	2	2	2.5	1.8 °	480	1.15	80
57BYGH280-3004A	2	3	1	1.8 °	480	1.15	80
57BYGH280-4004A	2	4	0.65	1.8 °	480	1.15	80
57BYGH2100-4004A	2.7	4.0	1.2	1.8 °	550	1.65	100
57BYGH2115-4008A	3.2	4.0	1.5	1.8 °	600	1.75	115

Dimension



Wiring Diagram

