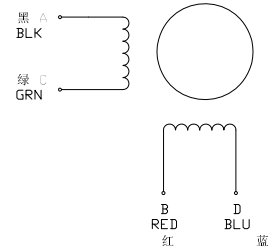


# STEPPING MOTORS TYPE CW 60BHH100-500B-24S

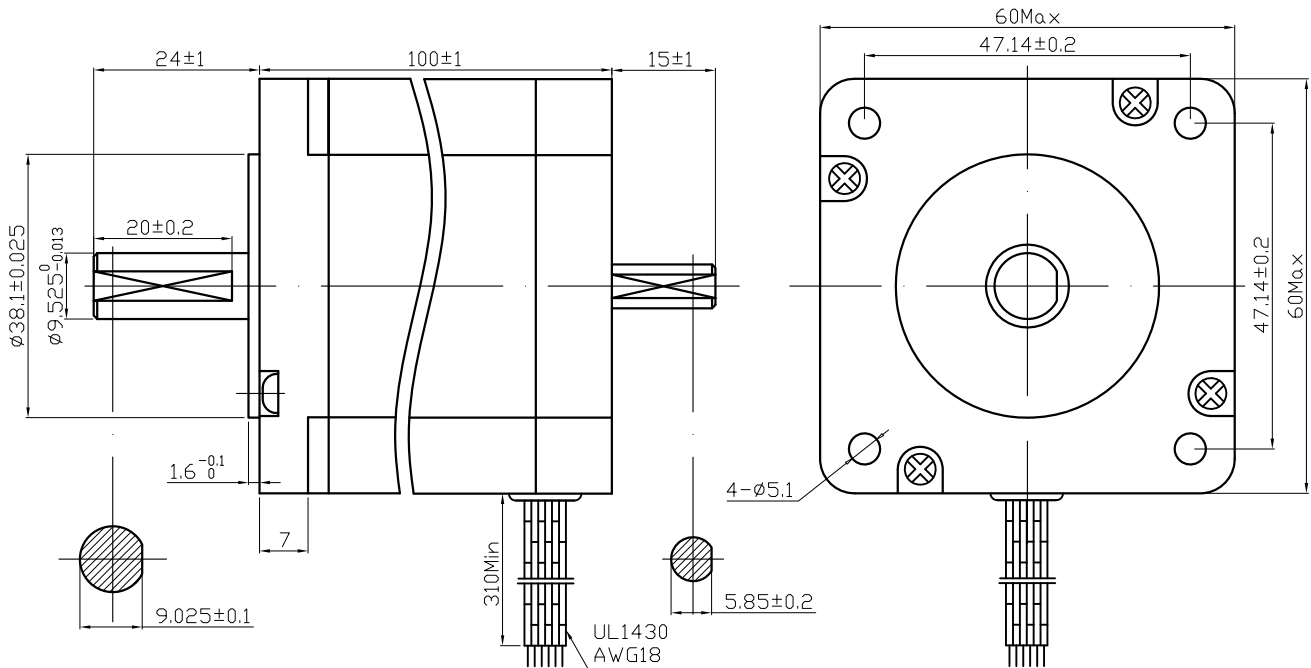
COMMON RATINGS		SPECIFICATIONS		Wiring Diagram
STEP ANGLE	1.8°±5%	VOLTAGE	3V	
PHASES	2phases	CURRENT	5.0A	
INSULATION RESISTANCE	100Mohm(500VDC)	INDUCTANCE	2.5mH±20%	
CLASS OF INSULATION	B level	RESISTANCE	0.6Ω±10%	
WEIGHT		HOLDING TORQUE	4N.m	

## Wiring Diagram



## DIMENSION

units:mm



DJ. 60BYGH410-05S